

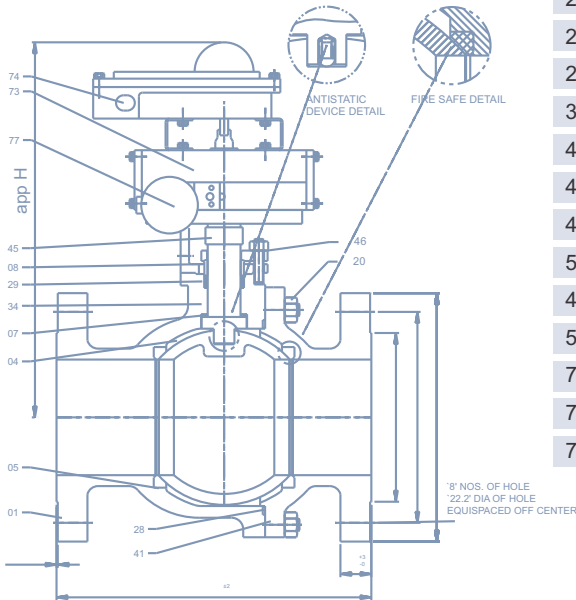
BALL VALVE TWO PIECE PNEUMATIC ACTUATOR DOUBLE ACTING CLASS 150 / 300



DOUBLE ACTING

MATERIAL SPECIFICATIONS

NO.	Part Name	Material		
1.	BODY	WCB / A105	CF8	CF8/ CF8M
4.	BALL	CF8 / CF8M	SS304 / SS316	
5.	SEAT	PTFE		
7.	SPINDLE	SS304 / SS316		
8.	GLAND BUSH	SS304 / SS316		
18.	HANDLE	N/A		
20.	STUD & NUT	A 193 Gr. B7 / A 194 Gr. 2H		
28.	BODY PACKING	VITON / GRAFOIL / PTFE		
29.	STEM PACKING	GFT/ VITON / GRAFOIL / PTFE		
34.	BOTTOM WASHER	PTFE		
41.	END PIECE	WCB / A105	CF8	CF8/ CF8M
45.	LOCK NUT	AISI 316		
46.	GLAND FLANGE	WCB		
52.	NAME PLATE	SS / AL		
41.	END PIECE	WCB / A105	CF8	CF8/ CF8M
52.	NAME PLATE	SS / AL		
73.	ACTUATOR ASSLY.	DOUBLE ACTING		
74.	LIMIT SWITCH	UTVC Make		
77.	SOLENOID VALVE			



1- HOLLOW BALL 3"NB AND ABOVE.

	TESTING DETAIL 150	TESTING DETAIL 300	REFERENCE STANDARD		
Hydrotest {KG/CM²}	Hydrotest {KG/CM²}	MFG. STD.	BS 5351		
Shell	30	Shell	79	FACE TO FACE	ANSI B 16.10
Seat	20	Seat	58	FLANGE DETAIL	ANSI B 16.5
Seat Air Test :	7	Seat Air Test :	7	INSP. & TEST	BS 6755 PART - 1

DIMENSION CHART 150#

Valve Size in mm	1.5 40	2 50	2.5 65	3 80	4 100	6 150
L	6.5 165	7.0 178	7.5 191	8.0 203	9.0 229	15.9 394
H app	13.80	14.12	15.87	16.78	17.74	19.84
øp	37	49	64	75	98	148
Wt. kg app (F/E) (VALVE)	9	14	20	27	40	90

DIMENSION CHART 300

Valve Size in mm	2 50	2.5 65	3 80	4 100	6 150
L	216	241	282	305	403
H app	15.5	16.87	17.78	18.84	21.50
øp	49	64	75	98	148
Wt. kg app (F/E) (VALVE)	18	28	35	55	110